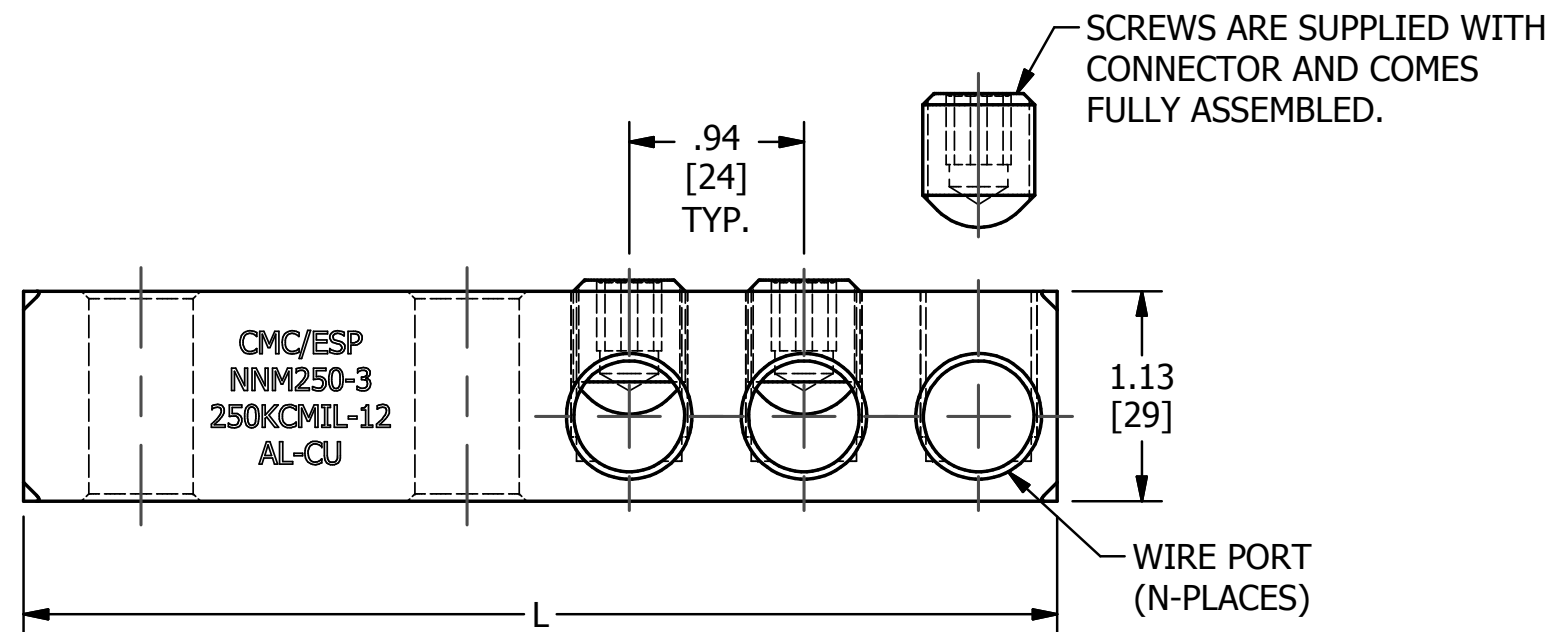
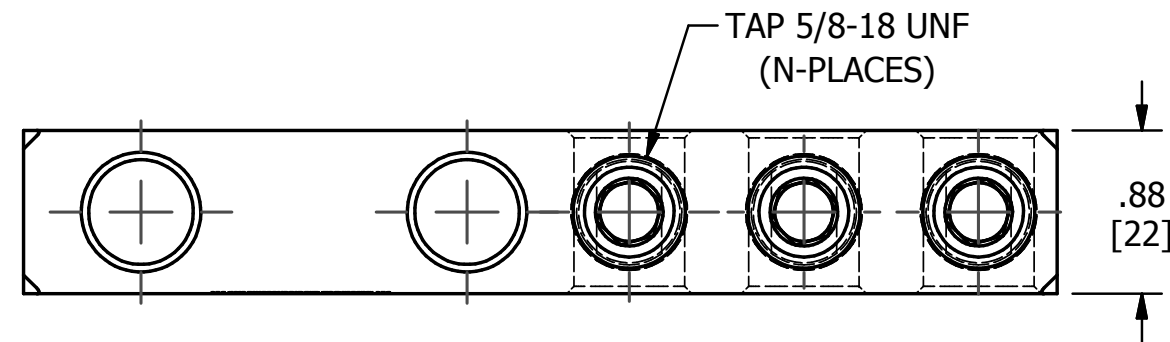


S.NO	CATALOG NUMBER	L	N
1	NNM250-3	5.55 [141]	3
2	NNM250-3I	5.55 [141]	3
3	NNM250-4	6.49 [165]	4
4	NNM250-4I	6.49 [165]	4
5	NNM250-6	8.36 [121]	6
6	NNM250-6I	8.36 [121]	6
7	NNM250-8	10.24 [260]	8
8	NNM250-8I	10.24 [260]	8



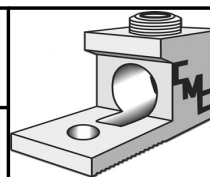
FINISH: CLEAR PLATE  
MATERIAL: ALUMINUM

					TO ORDER CMC PRODUCTS CALL 1-513-860-4455	DRAWN BY: TS 09-25-19	NAME OF PART: NEMA MOUNT CONNECTOR ASSEMBLY	CAT. NO.: SEE TABLE
					FOR PRODUCT INFO: <a href="http://www.cmclugs.com">http://www.cmclugs.com</a>	CHECKED BY:	DWG NO: C58701176-S (CHARTED)	A
A	NEW DRAWING CREATED		09-25-19	TS		DRAWING NOT TO SCALE		SHEET NO: 1 OF 1
REV.	DESCRIPTION	ECN	DATE	INIT.				

THIS INFORMATION IS PROPRIETARY TO CONNECTOR MFG. CO. AND IS NOT TO BE DISCLOSED OUTSIDE OF CONNECTOR MFG. CO. WITHOUT A CONFIDENTIALITY AGREEMENT



**CONNECTOR MANUFACTURING CO.**



HAMILTON, OHIO